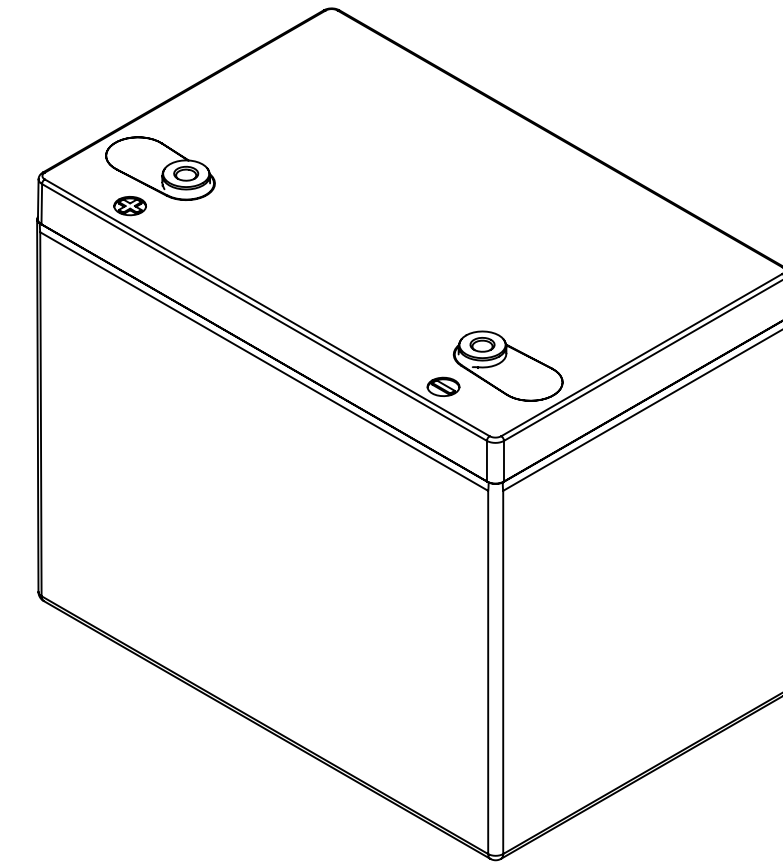
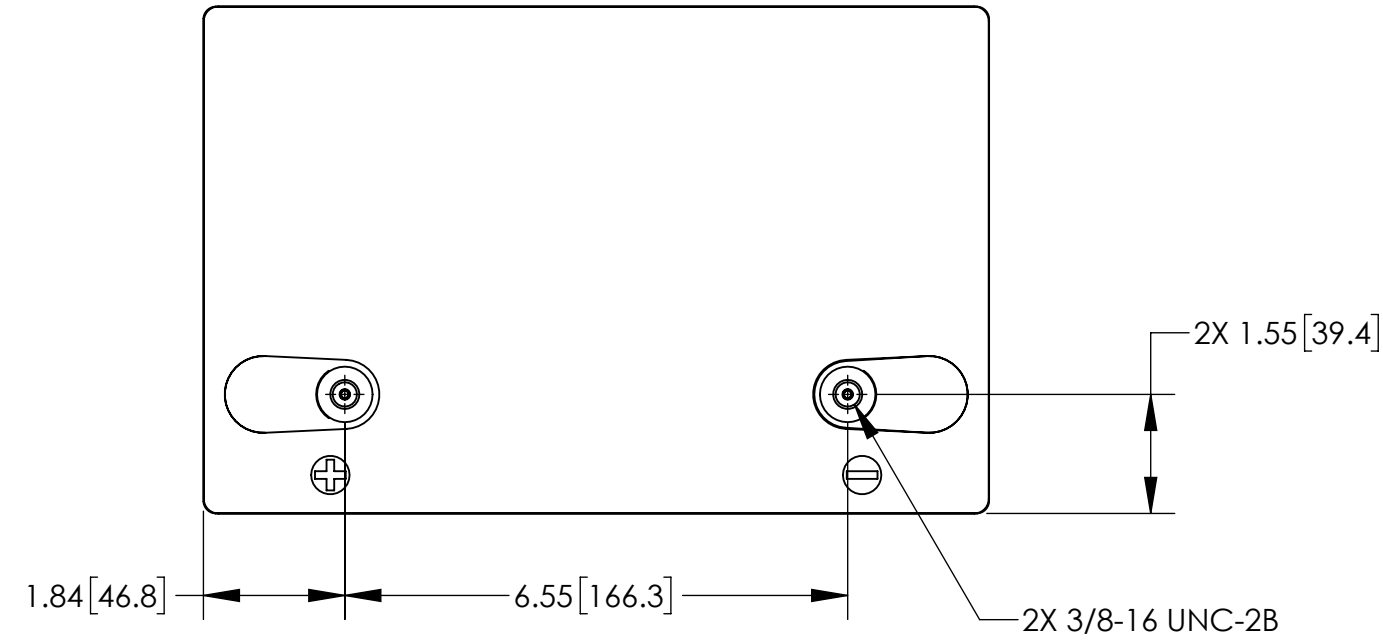


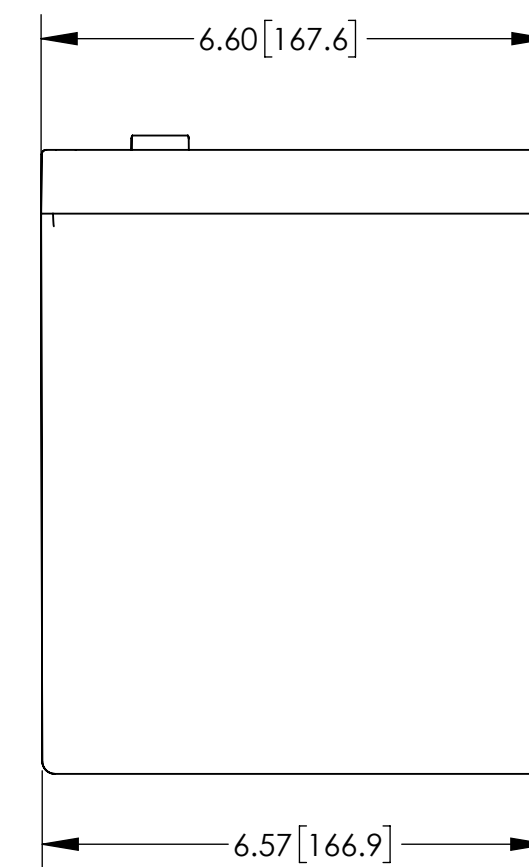
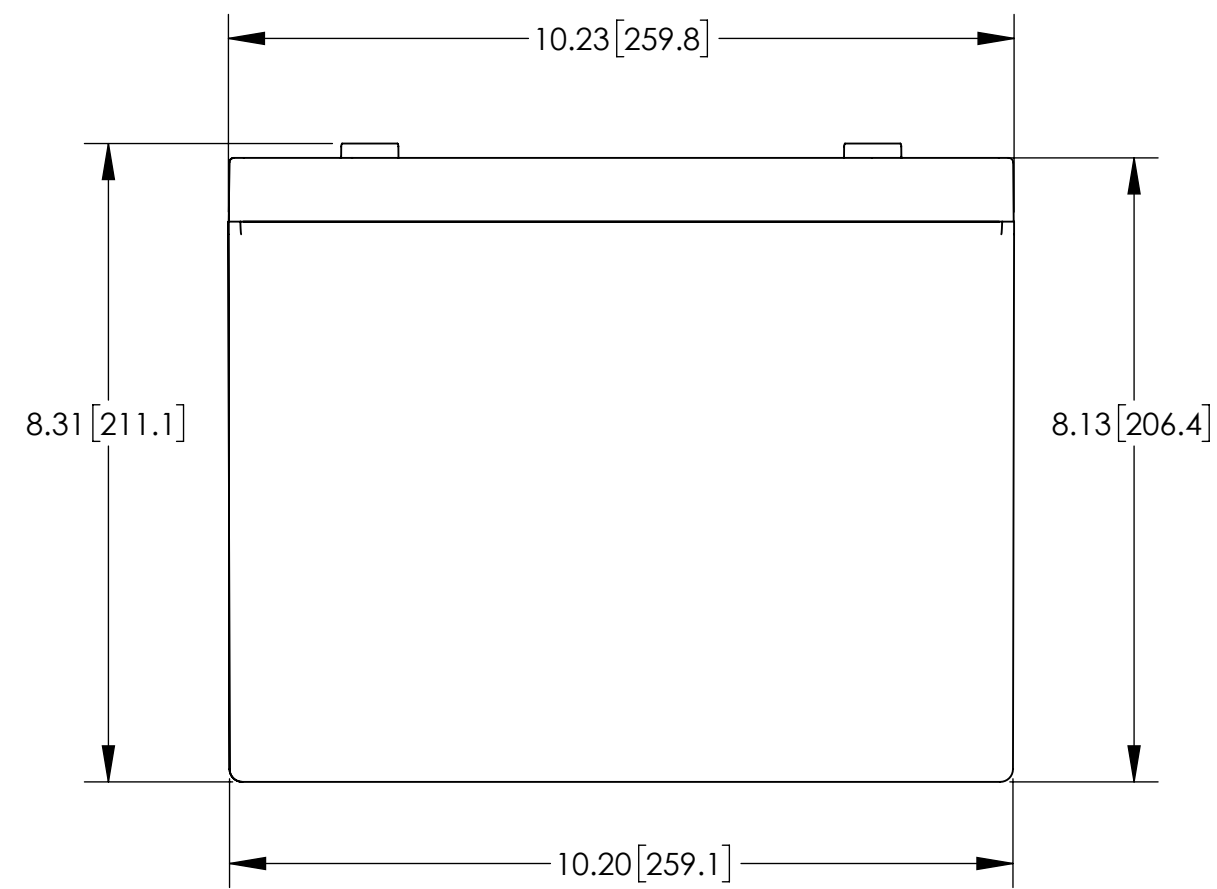
NOTES: UNLESS OTHERWISE SPECIFIED

1. SEE DRAWING NO. CB-00358 AND PROCEDURE P-1000 FOR ASSEMBLY AND TEST INSTRUCTION. PROCEDURES AND ASSEMBLY DRAWINGS ARE FOR INTERNAL USE ONLY.
2. ALL TESTING IS PERFORMED IAW BATTERY COUNCIL INTERNATIONAL STANDARDS.
3. ALL DIMENSIONS ARE INCH [MM].
4. TERMINAL HARDWARE PROVIDED.

REVISIONS			
REV	DESCRIPTION	DATE	APPROVED



REFERENCE VIEW



PART NUMBER	LL-1640TB
NOMINAL WEIGHT	43 LBS [19.5 KG]
NOMINAL VOLTAGE	16 V
AMPERE HOUR CAPACITY @ 20 HOUR 1.75 VOLTS/CELL @ 77°F (25°C)	40
MINUTES OF DISCHARGE @ 25 AMPS 1.75 VOLTS/CELL @ 77°F (25°C)	85

ENVELOPE DRAWING

UNLESS OTHERWISE SPECIFIED DIMENSIONS ARE IN INCHES TOLERANCES ARE: FRACTIONS DECIMALS ANGLES ±1/32 .XX ±.12 ±1° .XXX ±.060	CONTRACT NO.		CONCORDE BATTERY CORPORATION 2009 SAN BERNARDINO RD, W. COVINA, CA 91790		
	APPROVALS	DATE	TITLE BATTERY, 16 VOLT, LL-1640TB		
TREATMENT	NONE	CHECKED	NS	8/7/24	SIZE C
FINISH	NONE	APPROVED	PH	8/8/24	
SIMILAR TO	CALC WT	ISSUED	DH	8/8/24	CAGE CODE 63017
				SCALE	1:2.5
				DWG NO. LL-1640TB	
				REV	
				SHEET 1 OF 1	