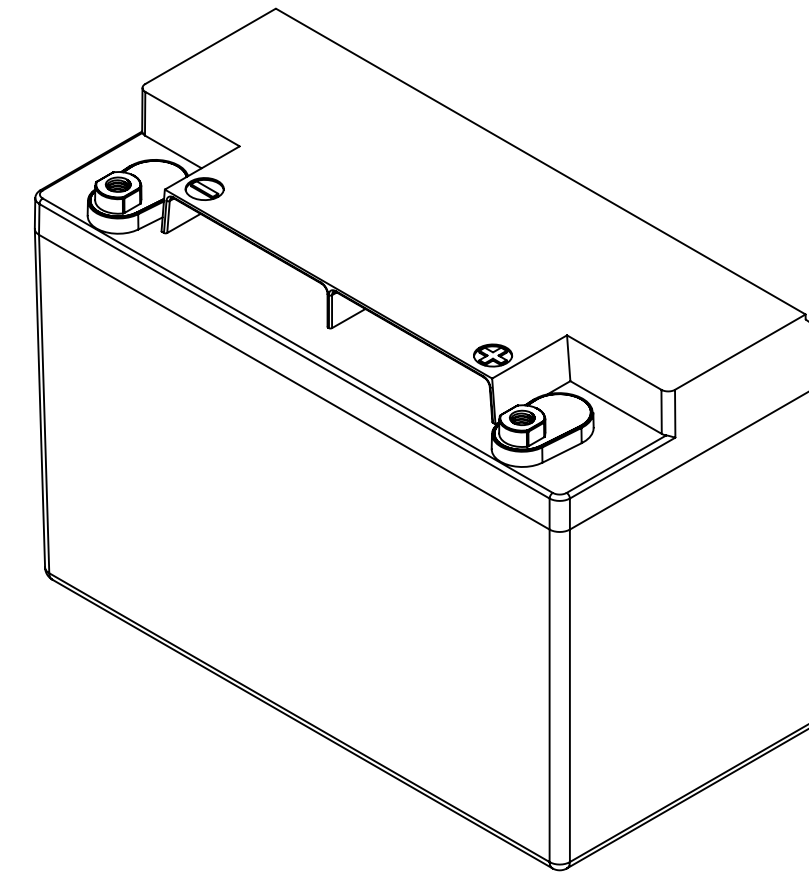
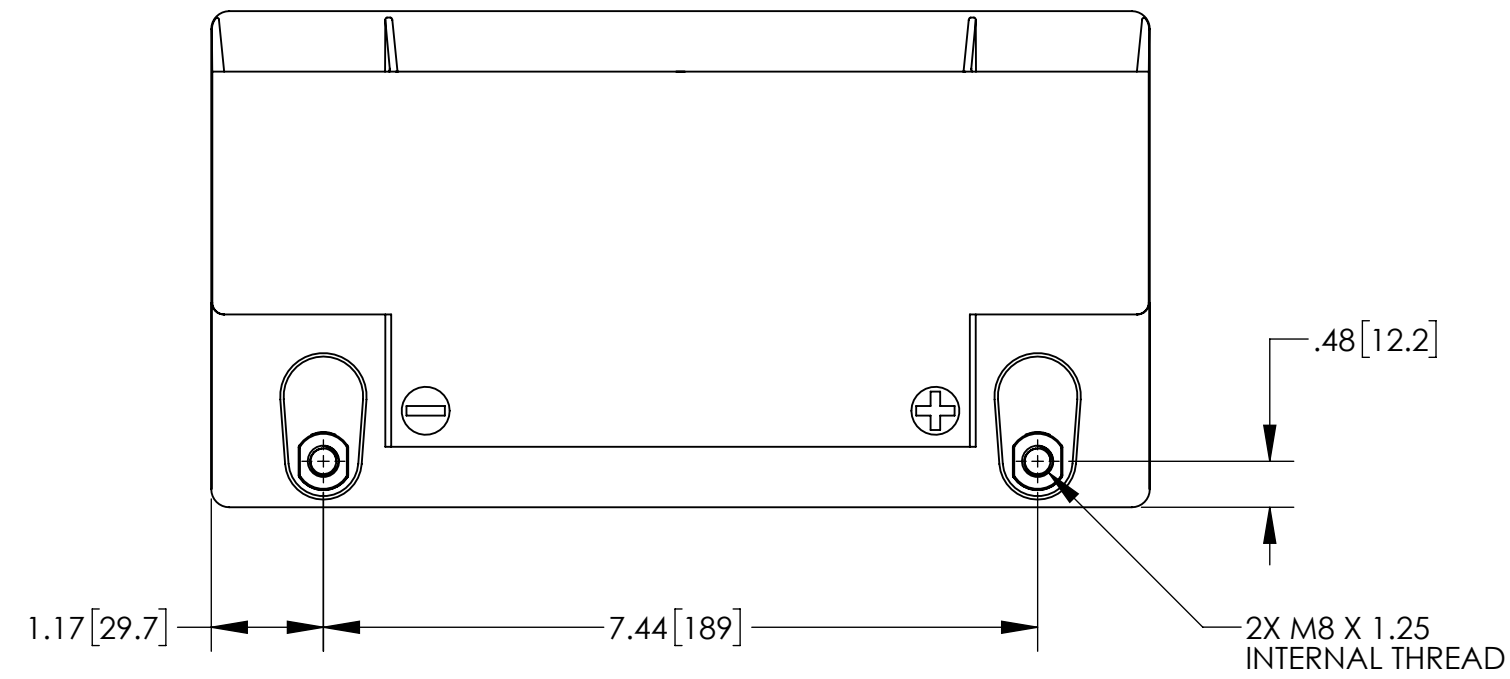


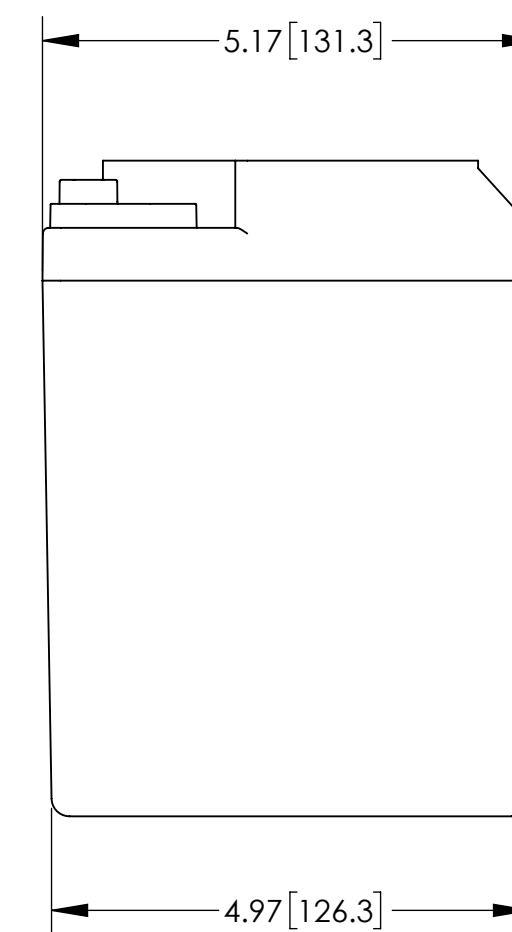
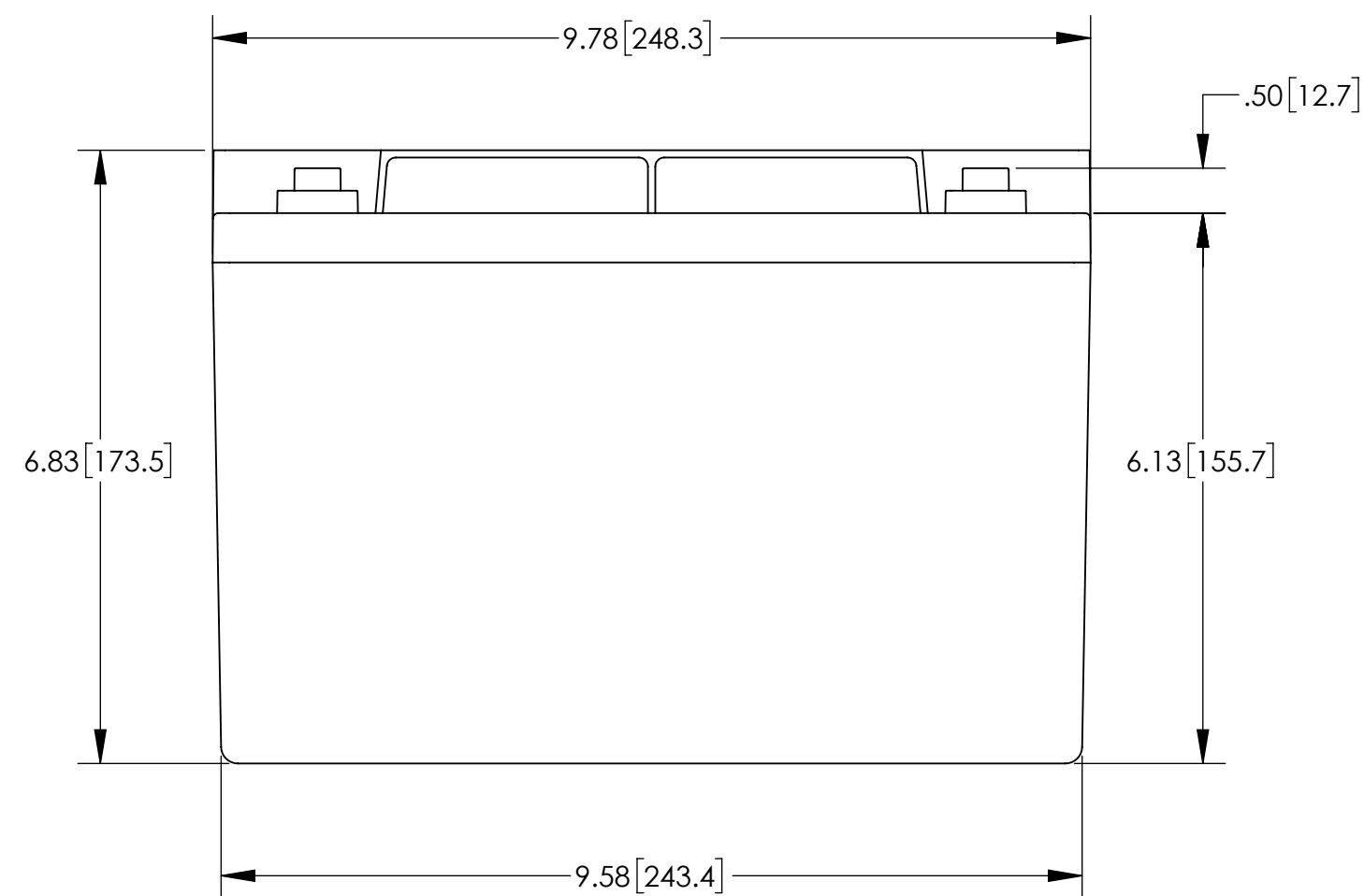
NOTES: UNLESS OTHERWISE SPECIFIED

1. SEE DRAWING NO. CB-00315 AND PROCEDURE P-1000 FOR ASSEMBLY AND TEST INSTRUCTION. PROCEDURES AND ASSEMBLY DRAWINGS ARE FOR INTERNAL USE ONLY.
2. ALL TESTING IS PERFORMED IAW BATTERY COUNCIL INTERNATIONAL STANDARDS.
3. ALL DIMENSIONS ARE INCH [MM].
4. M8 TERMINAL HARDWARE PROVIDED.

| REVISIONS | | | |
|-----------|--------------------------------|--------|----------|
| REV | DESCRIPTION | DATE | APPROVED |
| A | UPDATED FOR EU 1542 COMPLIANCE | 8/8/24 | PH |



REFERENCE VIEW



| | |
|---|------------------|
| PART NUMBER | LL-1257TB |
| NOMINAL WEIGHT | 31 LBS [14.1 KG] |
| NOMINAL VOLTAGE | 12 V |
| AMPERE HOUR CAPACITY @ 20 HOUR 1.75 VOLTS/CELL @ 77°F (25°C) | 43 |
| MINUTES OF DISCHARGE @ 25 AMPS 1.75 VOLTS/CELL @ 77°F (25°C) | 80 |

ENVELOPE DRAWING

| | | | | | | | | |
|---|--------------------------|-------------|----------------|-----------|---|-------------------|-------|--|
| UNLESS OTHERWISE SPECIFIED DIMENSIONS ARE IN INCHES TOLERANCES ARE: | | | CONTRACT NO. | | CONCORDE BATTERY CORPORATION 2009 SAN BERNARDINO RD, W. COVINA, CA 91790 | | | |
| FRACTIONS | DECIMALS | ANGLES | APPROVALS | DATE | TITLE | | | |
| ± | .XX ± .06 .XXX ± .060 | ±° | DRAWN D. AYALA | 7/21/11 | BATTERY, 12 VOLT, LL-1257TB | | | |
| TREATMENT | NONE | CHECKED NS | 7/18/19 | SIZE C | CAGE CODE 63017 | DWG NO. LL-1257TB | REV A | |
| FINISH | NONE | APPROVED PH | 7/19/19 | SCALE 1:2 | SHEET 1 OF 1 | | | |
| SIMILAR TO | CALC WT | ISSUED DH | 8/8/24 | | | | | |