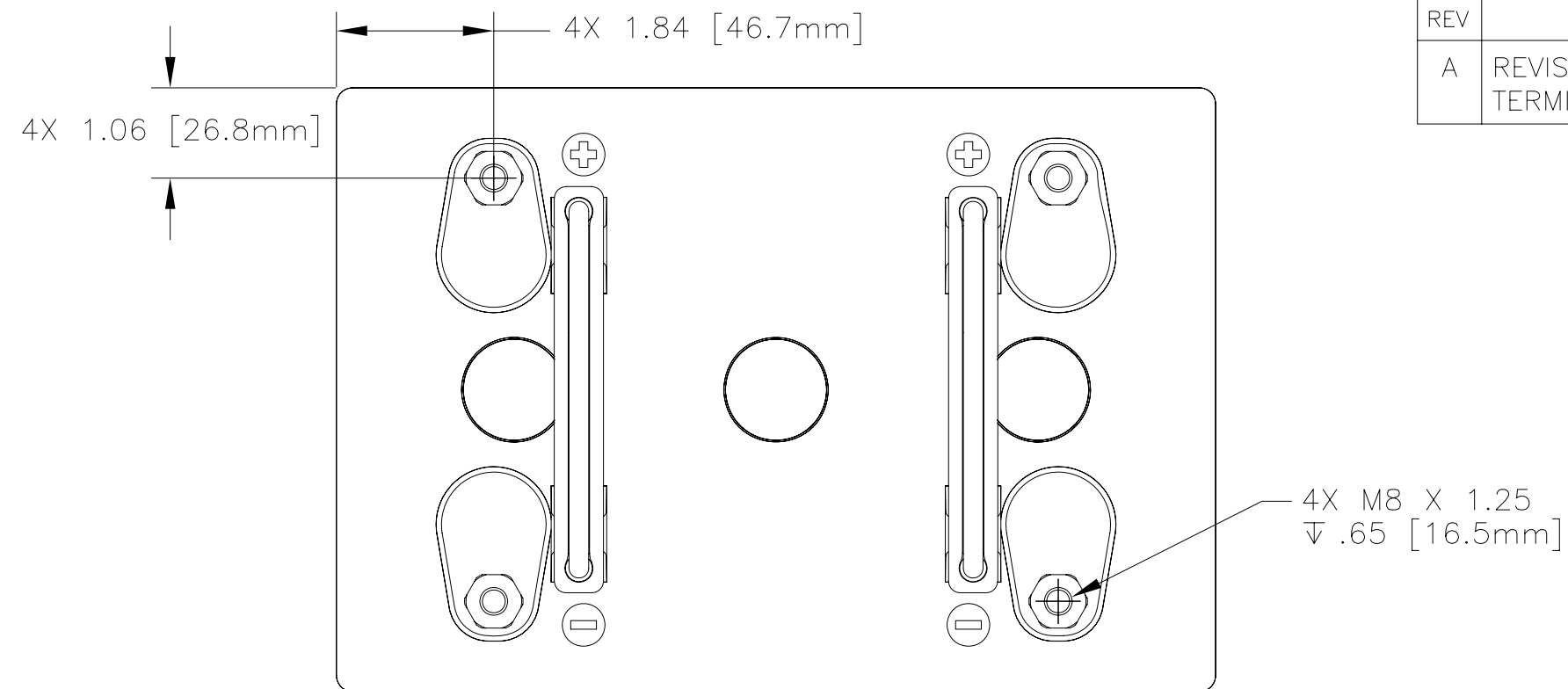


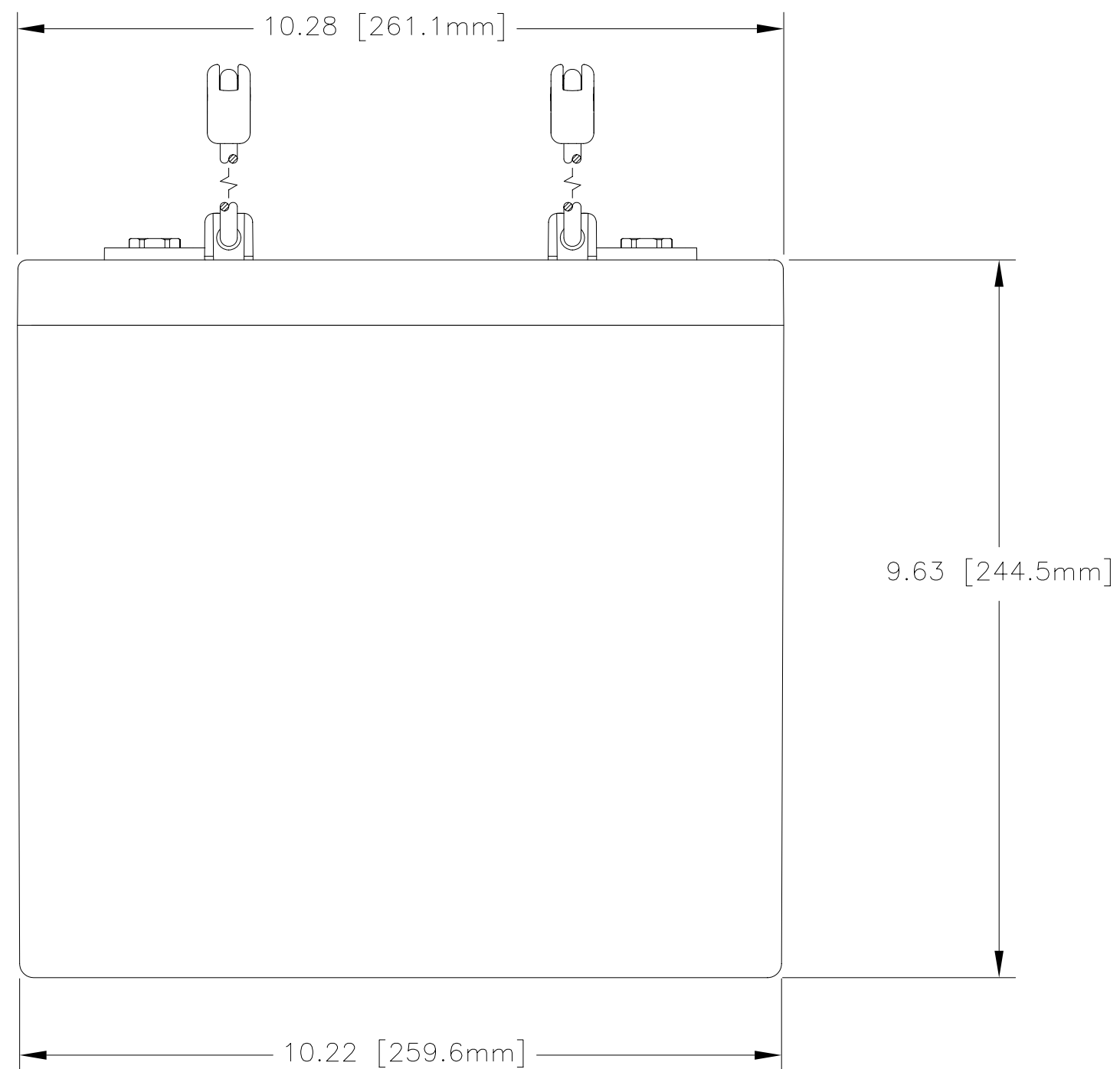
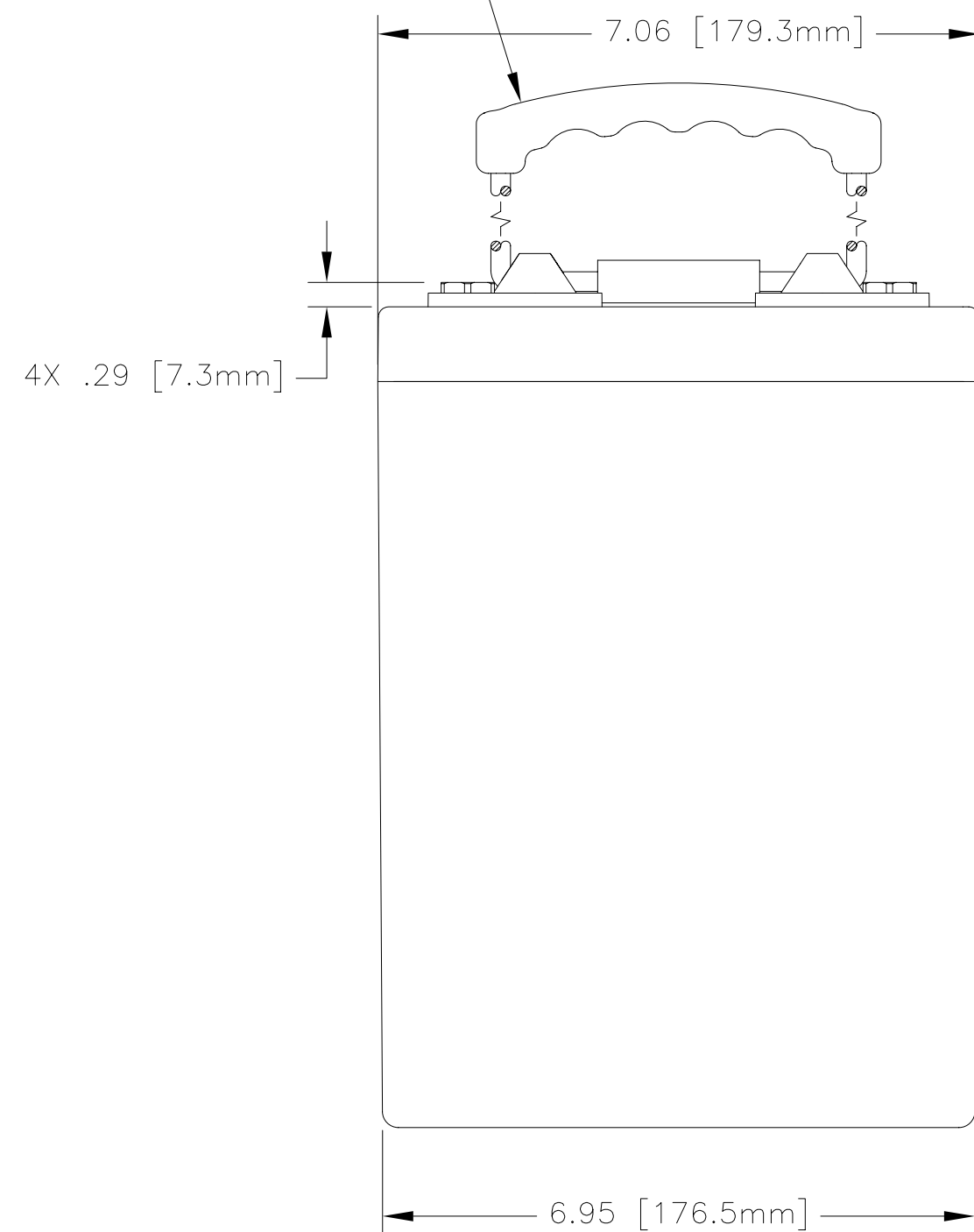
NOTES: UNLESS OTHERWISE SPECIFIED

1. SEE DRAWING NO. CB-00281 AND PROCEDURE P-1000 FOR ASSEMBLY AND TEST INSTRUCTION. PROCEDURES AND ASSEMBLY DRAWING ARE FOR INTERNAL USE ONLY.
2. ALL TESTING IS PERFORMED IAW BATTERY COUNCIL INTERNATIONAL STANDARDS.
3. ALL DIMENSIONS ARE IN INCHES [MM]
4. TERMINAL HARDWARE KIT PROVIDED, PART NUMBER 6923

REVISIONS			
REV	DESCRIPTION	DATE	APPROVED
A	REVISED TERMINAL DAMS, TERMINAL HEIGHT & HANDELS	9/16/09	JBT



2X ROPE LIFTING HANDLES



ENVELOPE DRAWING

CAPACITY RATINGS	
PART NUMBER	GPL-4CT-2V
NOMINAL WEIGHT	69 LBS [31.3 KG]
AMPERE HOUR CAPACITY @ 20 HOUR 1.75 VOLTS/CELL @ 77°F (25° C)	660 AH
MINUTES OF DISCHARGE @ 25 AMPS 1.75 VOLTS/CELL @ 77°F (25° C)	1476 MIN

QTY REQD	CAGE CODE	PART OR IDENTIFYING NO.	NOMENCLATURE OR DESCRIPTION	MATERIAL SPECIFICATION	ITEM NO.
PARTS LIST					
UNLESS OTHERWISE SPECIFIED DIMENSIONS ARE IN INCHES TOLERANCES ARE: FRACTIONS    DECIMALS    ANGLES ± 1/32    .XX ± .12    ± 1° .xxx ± .060			CONTRACT NO.		<b>CONCORDE BATTERY CORPORATION</b> 2009 SAN BERNARDINO RD, W. COVINA, CA 91790  <b>BATTERY, 2 VOLT,</b> <b>GPL-4CT-2V</b>
TREATMENT		APPROVALS	DATE	TITLE	
FINISH		CHECKED	DATE	SIZE	
SIMILAR TO		APPROVED	DATE	CAGE CODE	
N/A		ISSUED	DATE	DWG NO.	REV
N/A			9/18/09	63017	A
N/A				GPL-4CT-2V	
N/A				SCALE 1/2	SHEET 1 OF 1