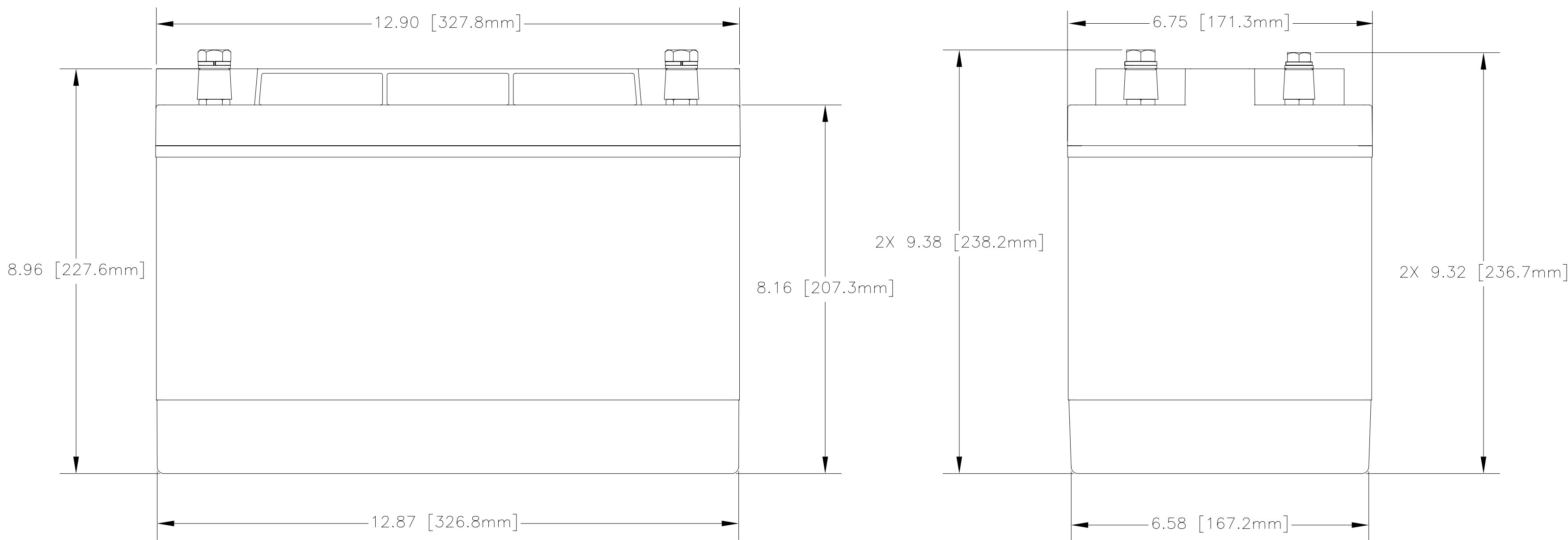
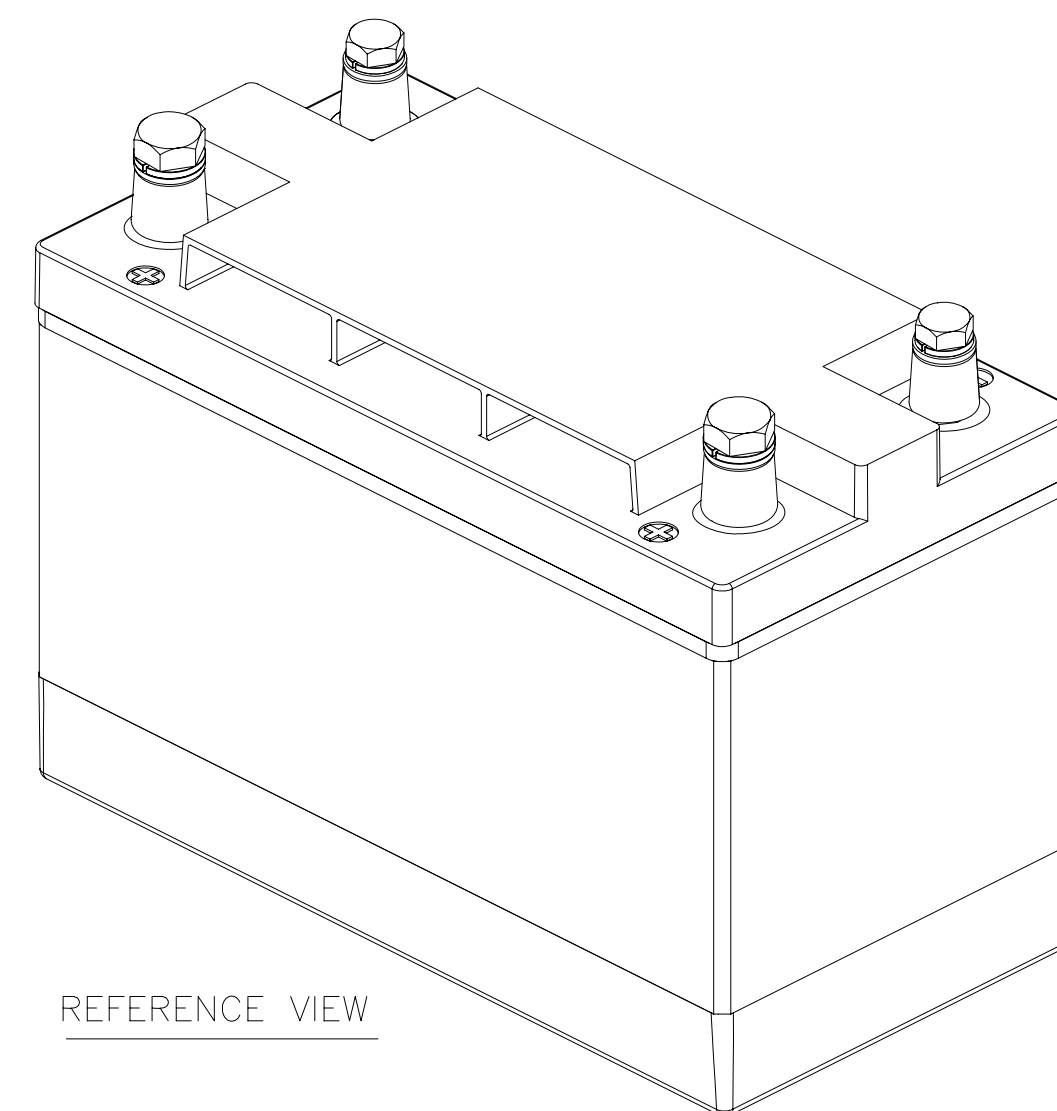
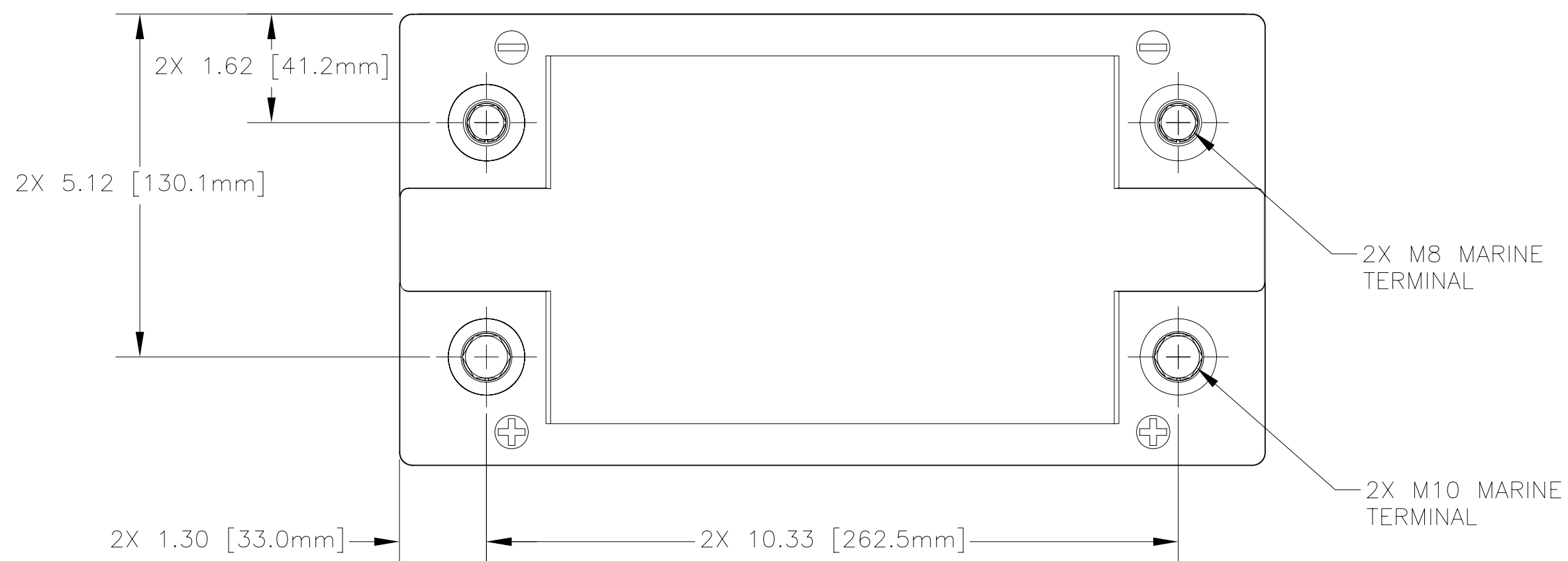


NOTES: UNLESS OTHERWISE SPECIFIED

1. SEE DRAWING NO. CB-00292 AND PROCEDURE P-1000 FOR ASSEMBLY AND TEST INSTRUCTION. PROCEDURES AND ASSEMBLY DRAWINGS ARE FOR INTERNAL USE ONLY.
2. ALL TESTING IS PERFORMED IAW BATTERY COUNCIL INTERNATIONAL STANDARDS.
3. ALL DIMENSIONS ARE INCH [MM].

REVISIONS			
REV	DESCRIPTION	DATE	APPROVED
A	SEE DCN GPL31T2VA	8/10/11	JBT
B	ADDED M8 & M10 MARINE TERMINALS	12/20/11	JBT



CAPACITY RATINGS	
PART NUMBER	GPL-31T-2V
NOMINAL WEIGHT	66 LBS [30 KG]
AMPERE HOUR CAPACITY @ 20 HOUR 1.75 VOLTS/CELL @ 77°F (25°C)	630 AH
MINUTES OF DISCHARGE @ 25 AMPS 1.75 VOLTS/CELL @ 77°F (25°C)	1170 MIN

ENVELOPE DRAWING

QTY REQD	CAGE CODE	PART OR IDENTIFYING NO.	NOMENCLATURE OR DESCRIPTION	MATERIAL SPECIFICATION	ITEM NO.
PARTS LIST					
UNLESS OTHERWISE SPECIFIED DIMENSIONS ARE IN INCHES TOLERANCES ARE:			CONTRACT NO.		
FRACTIONS DECIMALS ANGLES			APPROVALS DATE		
± 1/32 .XX ± .06 ± 1'			DRAWN A. MISTRETTA 1/24/08		
.XXX ± .030			CHECKED AMIII 1/25/08		
TREATMENT NONE			APPROVED JBT 1/25/08		
FINISH NONE			ISSUED BT 12/20/11		
SIMILAR TO			SCALE NONE		
ACT WT			SHEET 1 OF 1		
CALC WT			TITLE		
			CONCORDE BATTERY CORPORATION		
			2009 SAN BERNARDINO RD, W. COVINA, CA 91790		
			BATTERY, 2 VOLT, GPL-31T-2V		
			SIZE C CAGE CODE 63017 DWG NO. GPL-31T-2V REV B		