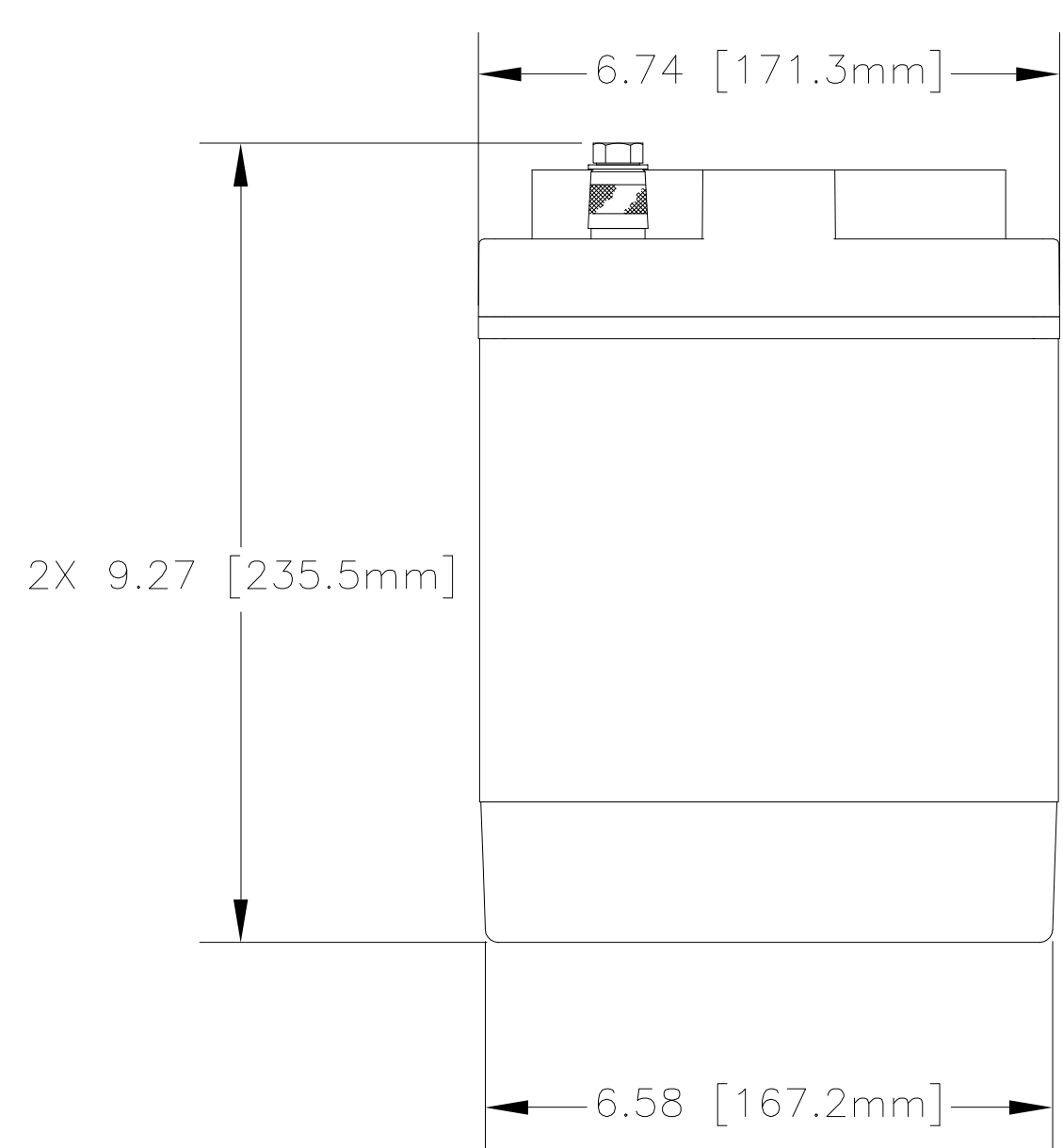
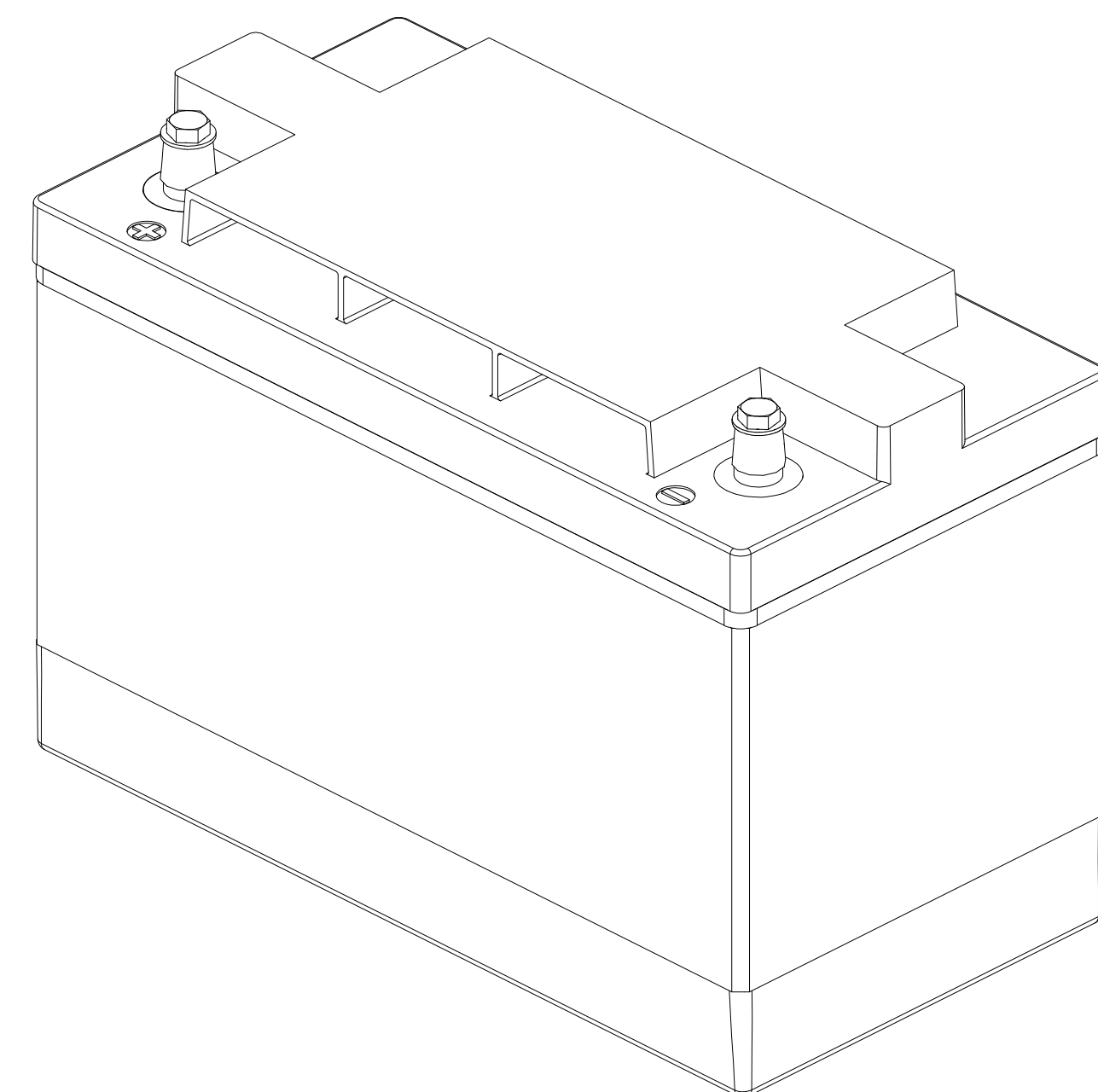
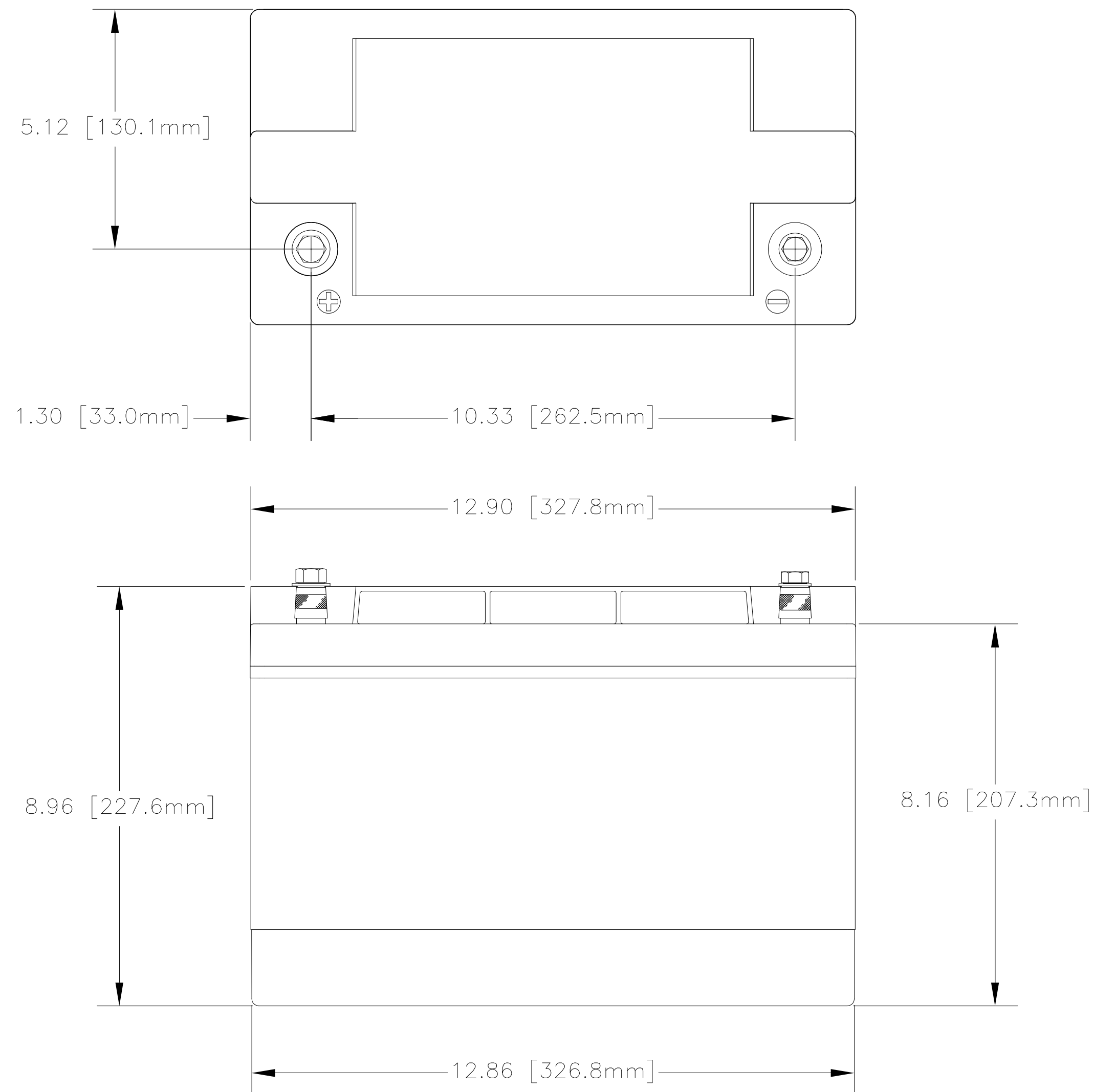


NOTES: UNLESS OTHERWISE SPECIFIED

1. SEE DRAWING NO. CB-00290 AND PROCEDURE P-1000 FOR ASSEMBLY AND TEST INSTRUCTION. PROCEDURES AND ASSEMBLY DRAWINGS ARE FOR INTERNAL USE ONLY.
2. ALL TESTS ARE IAW BATTERY COUNCIL INTERNATIONAL STANDARDS.
3. ALL DIMENSIONS ARE IN INCHES [MM].

REVISIONS			
REV	DESCRIPTION	DATE	APPROVED



REFERENCE VIEW

CAPACITY RATE	
PART NUMBER	GPL-3100T
NOMINAL WEIGHT	67 LBS [30.4 KG]
AMPERE HOUR CAPACITY @ 20 HOUR 1.75 VOLTS/CELL @ 77°F (25°C)	100 AH
MINUTES OF DICHARGE @ 25 AMPS 1.75 VOLTS/CELL @ 77°F (25°C)	228 MIN
COLD CRANKING AMPS @ 68°F	1120
COLD CRANKING AMPS @ 32°F	950
COLD CRANKING AMPS @ 0°F	810

ENVELOPE DRAWING

QTY REQD	CAGE CODE	PART OR IDENTIFYING NO.	NOMENCLATURE OR DESCRIPTION	MATERIAL SPECIFICATION	ITEM NO.
PARTS LIST					
UNLESS OTHERWISE SPECIFIED DIMENSIONS ARE IN INCHES TOLERANCES ARE: FRACTIONS DECIMALS ANGLES ± 1/32 .XX ± .06 ± 1° .XXX ± .060			CONCORDE BATTERY CORPORATION 2009 SAN BERNARDINO RD, W. COVINA, CA 91790		TITLE BATTERY, 12 VOLT, GPL-3100T
TREATMENT NONE		APPROVALS DATE		SIZE CAGE CODE DWG NO. REV	
FINISH NONE		DRAWN S.FRAZIER 5/7/02		C 63017 GPL-3100T	
SIMILAR TO NA		CHECKED HRF 5/14/02		SCALE NONE	
ACT WT NA		APPROVED JBT 5/17/02		SHEET 1 OF 1	
CALC WT NA		ISSUED AT 5/23/02			

ENGINEERING COPY 23MAY02